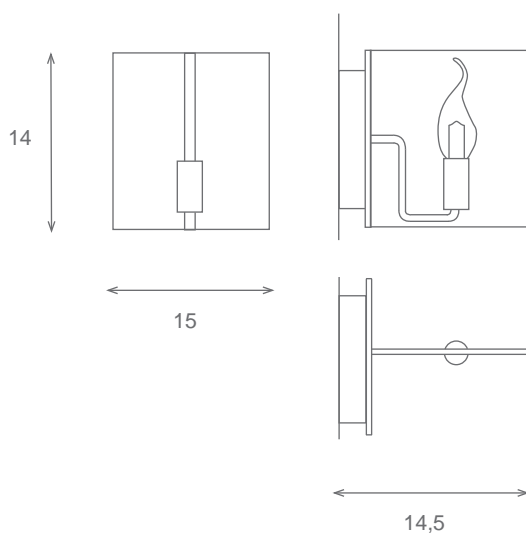


Cande-L collection

Design: Yolanda Almerich

Acabado metal: cromo brillo
Metal parts finished: polished chrome



Aplique/Wall lamp
Ref.63008
1 G9 25w